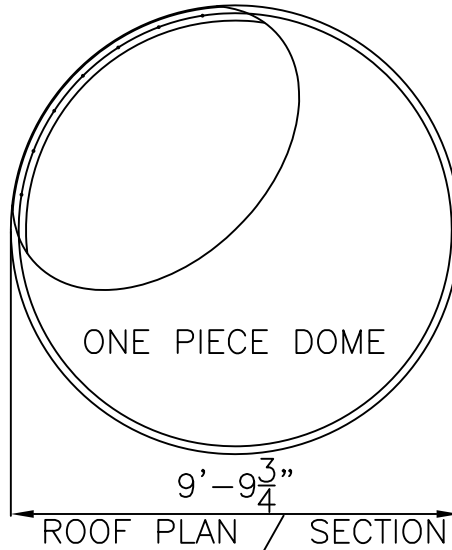
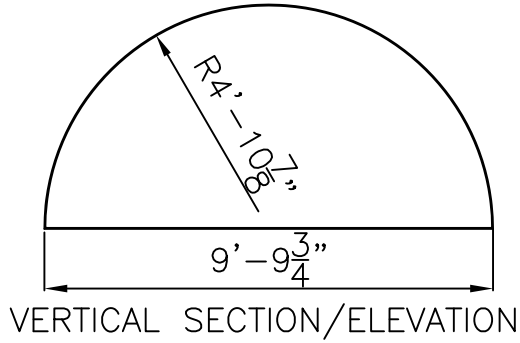
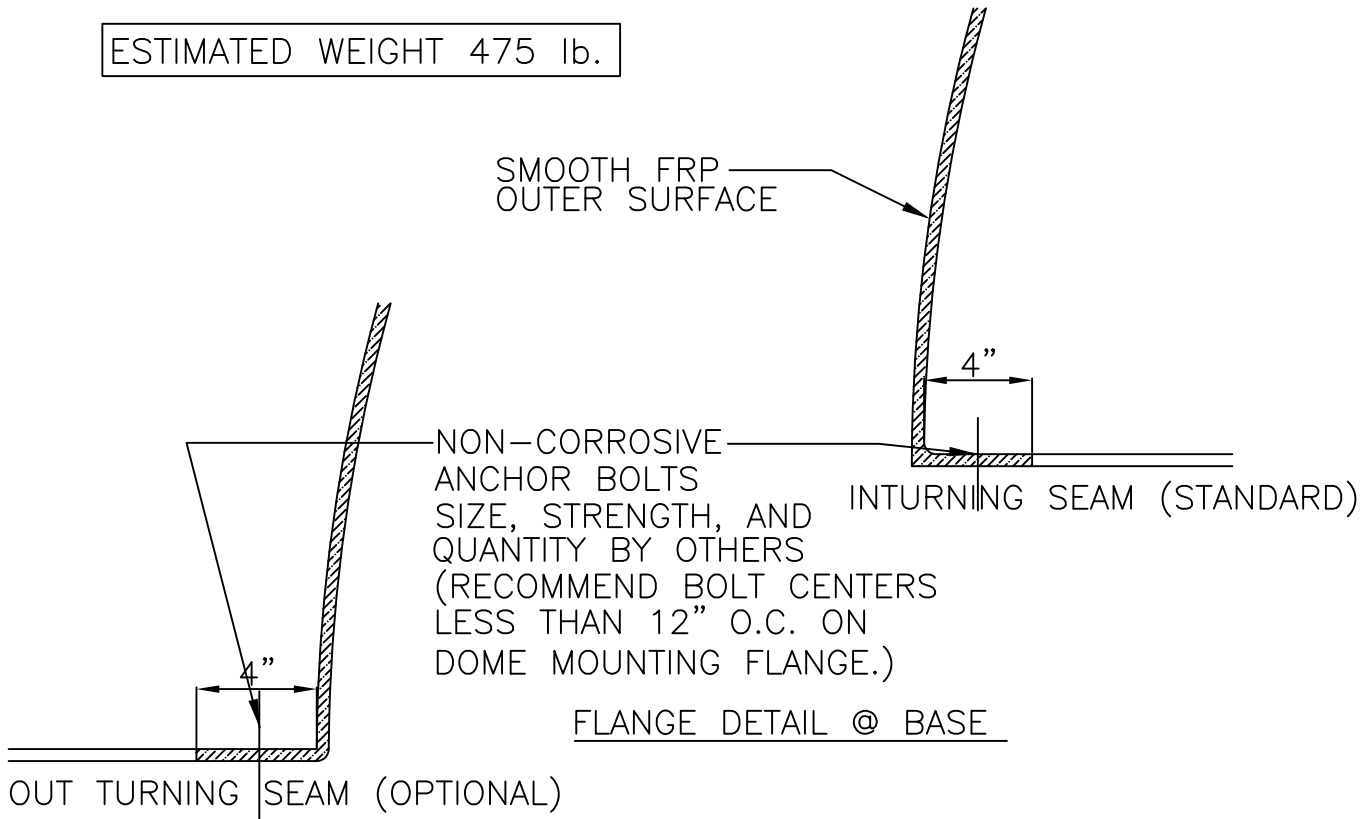


SMOOTH GEL COAT FINISH  
ON DOME SURFACE



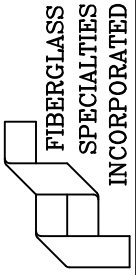
ONE PIECE DOME

ESTIMATED WEIGHT 475 lb.



THESE DRAWINGS ARE THE PROPERTY OF  
FIBERGLASS SPECIALTIES INC. DIMENSIONS  
AND DETAILS ARE SUBJECT TO CHANGE.  
DOMES ARE DESIGNED TO BE ERECTED ON A  
COMPLETED ROOFING SYSTEM AND ARE NOT  
GUARANTEED TO BE LEAK PROOF.

P.O. BOX 1340  
HENDERSON, TX 75653-1340  
903/657-6522  
FAX# 903/657-2318



Project: DOME 10 STANDARD

Date: 06-27-07  
Revisions 1-21-2011  
07-10-08 THE  
Scale: 1/4" = 1'-0"

Drawing By: TRS  
Checked By: ALL-STL\EL  
File # D #10

Sheet# E1  
ELEVATION