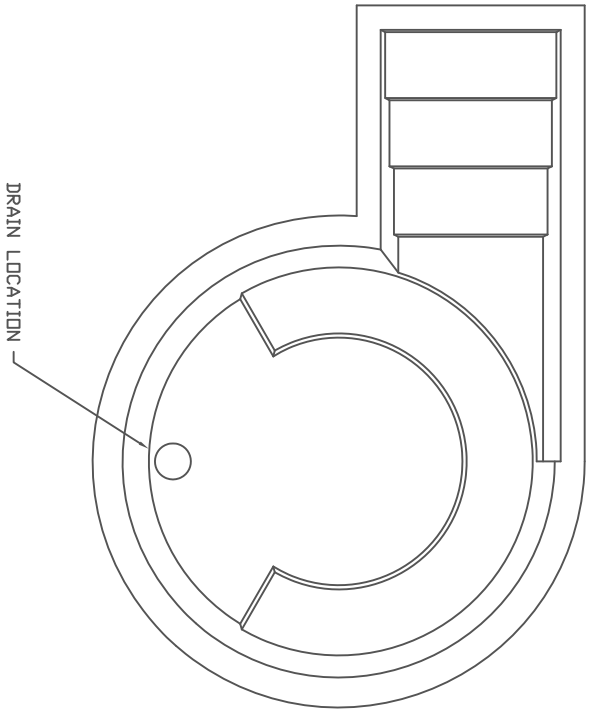


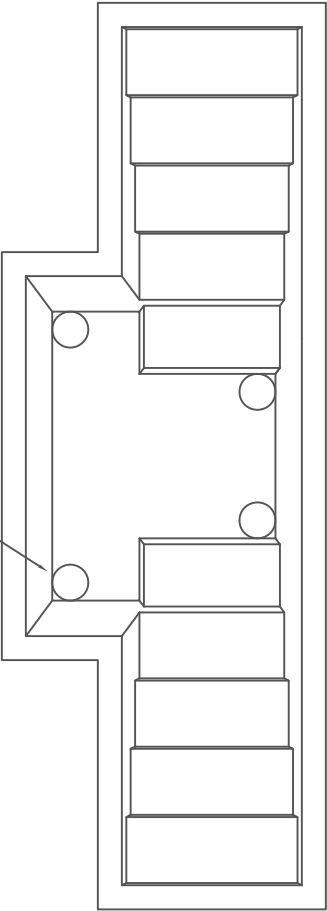
Drain Location

EZ-1 BAPTISTRY



DRAIN LOCATION

"R" MODEL BAPTISTRIES



POTENTIAL DRAIN LOCATIONS AT EACH CORNER

ALL OTHER MODELS

**IMPORTANT NOTE ON DRAIN INSTALLATION:**  
 REINFORCEMENT HAS BEEN REMOVED AT THE FOUR CORNERS OF THE BAPTISTRY (AS SHOWN BELOW) TO ASSURE PROPER LOCATION AND FIT OF THE DRAIN PORT. THE INSTALLER MAY WISH TO SLIGHTLY TILT THE BAPTISTRY (1/64" PER FOOT) TO ALLOW WATER TO DRAIN INTO THE PORT. THE BAPTISTRY WILL NOT BE HARMED IF IT IS INSTALLED "LEVEL" AND A SMALL AMOUNT OF WATER REMAINS AFTER DRAINING. OTHER DRAIN PORT LOCATIONS MUST BE SPECIFIED AT TIME OF ORDER. DO NOT PENETRATE THE REINFORCED SECTIONS OF THE BAPTISTRY FLOOR AS THIS WILL VOID THE WARRANTY.

FLOOR DRAIN LOCATIONS  
 FOR  
 FSI STANDARD BAPTISTRIES



P.O. BOX 1340  
 HENDERSON, TEXAS  
 75653-1340  
 903/657-6522  
 FAX# 903/657-2318

DATE: 08-16-05	SHEET FILE NAME: INST. SHT/BAPTISTRY
DRAWN BY: TDR	REVISION: 0
CHECKED BY:	APPROVED BY:

SHEET  
 NO. 1 OF 1