

HAYWARD® MICRO STAR-★CLEAR™ FILTER

MODEL C-120, C-200, C-225

The Micro Star-Clear cartridge filter utilizes a reusable single element, reinforced polyester filter cartridge to provide a high degree of water clarity with minimum care. It is designed for in-line piping systems and may be used with a wide range of pumps and flow rates.

PLUMBING

Plumbing connections are 1-1/2" N.P.T. When making connections, use plastic adapters. Apply three turns of teflon tape or plastic pipe sealant to the male threads. Screw the fitting into the thread hand tight; then using a wrench, tighten one more full turn. Additional tightening is unnecessary and could result in damage to the components. Be sure to properly support pipe connections.

The Micro Star-Clear filter features an automatic bypass orifice for use on spa systems. The bypass allows for greater flow rates through the filter and system. To use bypass—remove plug inside filter head.

BEFORE STARTING THE FILTER

Superchlorinate the water by adding unstabilized granular or liquid chlorine. Stabilized forms of chlorine are recommended for normal daily use *after* the initial clean up of the water. Follow dealer and chemical manufacturer's recommendations for superchlorination and normal daily use.

STARTING THE FILTER

Be sure filter drain valve and air relief valve are closed. **Note: All suction and discharge valves must be open when starting the system. Failure to do so could cause severe personal injury and/or property damage.** Be sure filter housing is secure (hand tighten).

Prime and start the pump following the manufacturer's instructions. Air trapped in the system will automatically vent to the pool.

FILTERING

Filtration starts as soon as flow is steady through the filter. As the filter cartridge removes the dirt from the pool water, the accumulated dirt causes a resistance to flow. As a result, the flow will decrease. When flow decreases below desired rate, clean or replace the filter cartridge.

CLEAN/REPLACE CARTRIDGE

Removing Cartridge Element

1. Shut off the pump.
2. If filter is located below water level, close valves (or block off suction and discharge lines) to prevent back flow of water from pool.
3. Open top air relief valve and remove drain valve to allow water to drain from filter.

4. Hold filter head firmly and unscrew filter housing to remove. If difficult to unscrew, apply a lever between the two tab extensions on the bottom of the filter housing and apply a slight pressure to assist in freeing the thread seal. Or, apply optional S-200-KT wrench (if supplied) to bottom side tabs.

5. Remove cartridge element and clean. Or, replace with clean, spare cartridge. (See Cleaning Cartridge)

Reinstalling Cartridge Element

1. Clean any collected debris from the bottom of the filter housing.
2. Reinstall cartridge in filter housing. Be sure O-ring is in place on threads.
3. Clean O-ring. For ease of future disassembly, apply a very light film of a dilute solution of non-granulated liquid-type soap to O-ring and threads. **Caution: Do not use any petroleum-based lubricants.**
4. Screw filter housing with O-ring into filter head. Do not overtighten. Tighten drain valve and top air relief valve.

Cleaning Cartridge

The cartridge filter element can be cleaned by pressure washing inside and out with a garden hose. Rotate cartridge, hosing from top down. (The cartridge is easier to clean when dry.) After hosing the cartridge, for best results, allow cartridge to dry and carefully brush pleated surface areas to remove fine particles.

Algae, silt and body oils can form a coating on the cartridge pleats which may not be thoroughly removed by hosing. To remove such materials, soak the cartridge in a solution of filter element cleaner (various brands available at pool dealer). Follow manufacturer's directions for use and allow an hour for soaking. Hose thoroughly before reinstalling in filter.

If calcium or mineral deposits are excessive, the cartridge may be restored to "like new" condition by soaking in muriatic acid. Use commercially available 20% muriatic acid added to water in 1 to 1 ratio. Use a plastic container and take extreme care when handling cleaning agents as they can be harmful to eyes, skin and clothing. After cleaning, flush with water.

A spare cartridge filter element is an excellent investment. It provides convenience and ensures that your filter will always be ready to operate at peak efficiency.

Hayward cartridges are specifically designed and engineered for use in Star-Clear filters. For best results, use only genuine Hayward Star-Clear cartridges in your filter. Order *Model No. CX120-RE, CX200-RE or CX225-RE* from your dealer. The Hayward name is your guarantee of quality.

VACUUMING

Vacuuming can be performed directly into the filter whenever needed. Clean cartridge after vacuuming, if required.

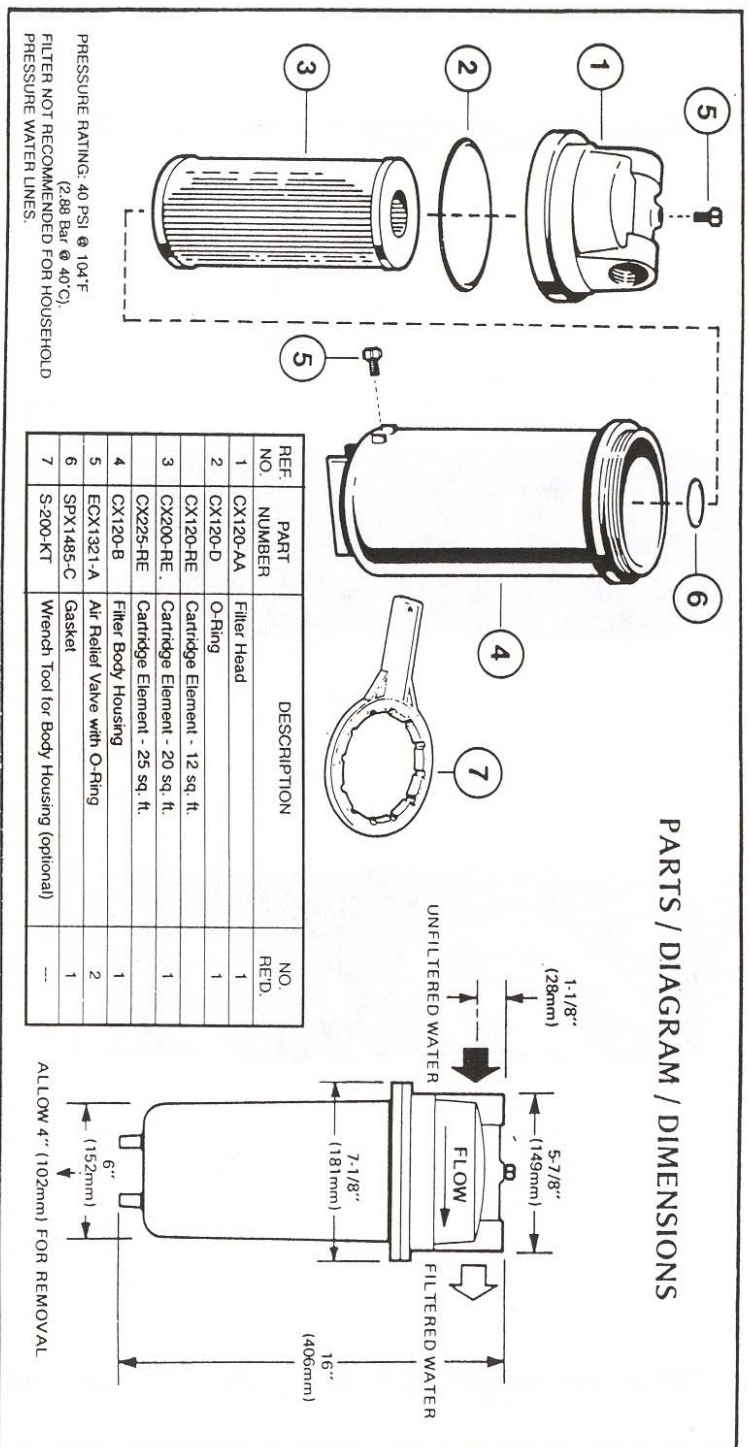
WINTERIZING FILTER

In areas where sub-freezing temperatures can be expected, the filter should be drained and/or removed from its operating location and stored indoors. Remove and clean cartridge and store with filter housing in a secure place.

Note: NSPI-4 Article V, standard for above-ground and on-ground pools, advises that components such as the filtration system, pumps and heater be positioned so as to prevent their being used as a means of access to the pool by young children.

SERVICE AND REPAIRS

Consult your local authorized Hayward dealer or service center. No returns may be made directly to the factory without the expressed written authorization of Hayward Pool Products, Inc.



Note: NSPI-4 Article V, standard for above-ground and on-ground pools, advises that components such as the filtration system, pumps and heater be positioned so as to prevent their being used as a means of access to the pool by young children.



HAYWARD POOL PRODUCTS, INC.

Hayward Pool Products, Inc.
 900 Fairmount Avenue
 Elizabeth, NJ 07207

Hayward Pool Products, Inc.
 2875 Pomona Boulevard
 Pomona, CA 91768

Hayward Pool Products Canada
 2880 Plymouth Drive
 Oakville, Ontario L6H 5R4

Hayward S.A.
 Zone Industrielle de Juniet
 B - 6040 Charleroi (Belgium)