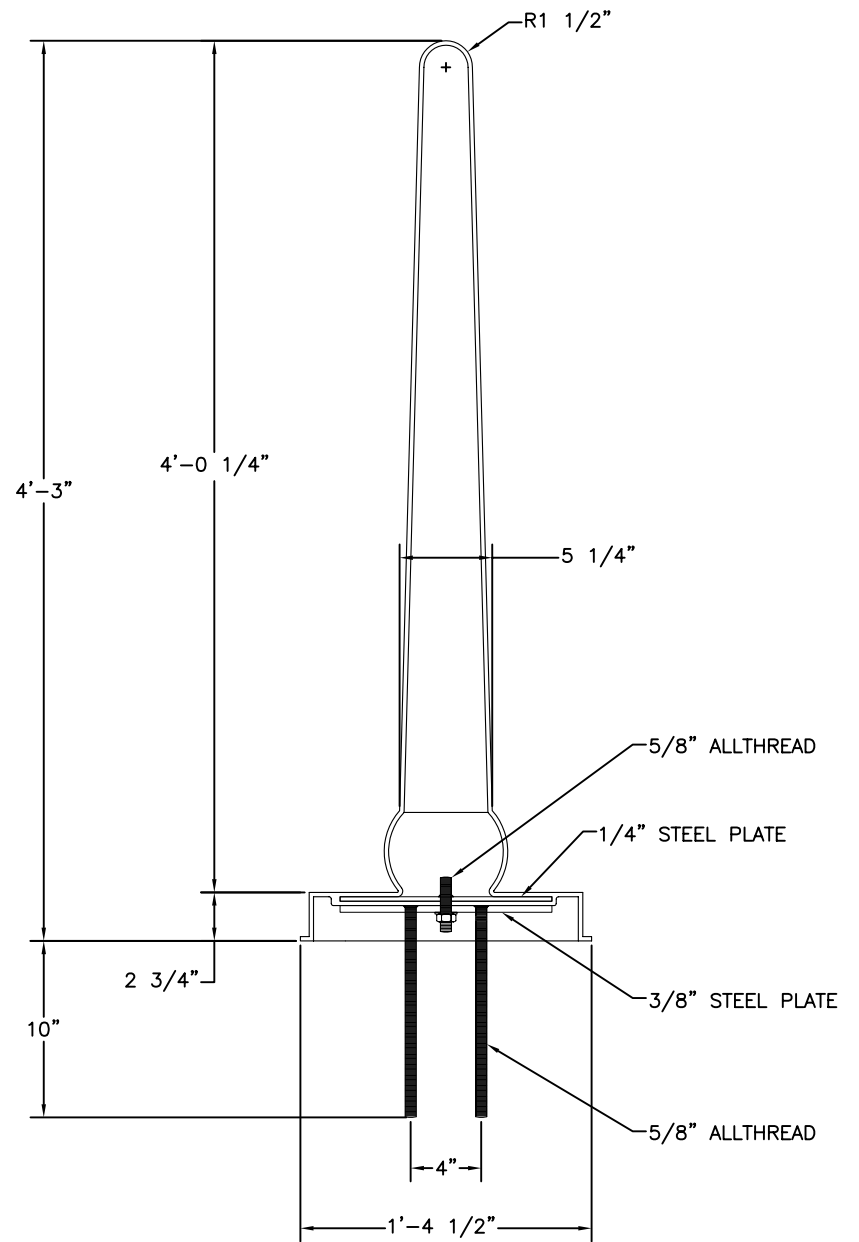


1
 S1 VERTICAL SECTION
 SCALE 1" = 1'-0"



2
 S1 ADAPTER SECTION
 SCALE 1" = 1'-0"