

Product Guide

Manufacturers

of Quality

Architectural

Fiberglass

Products



**FIBERGLASS
SPECIALTIES
INCORPORATED**

www.fsiweb.com

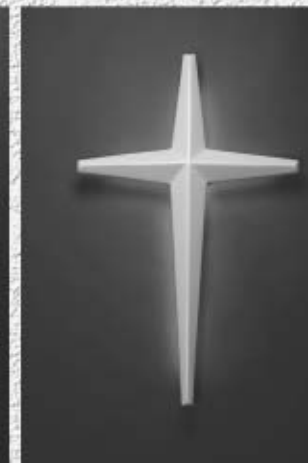
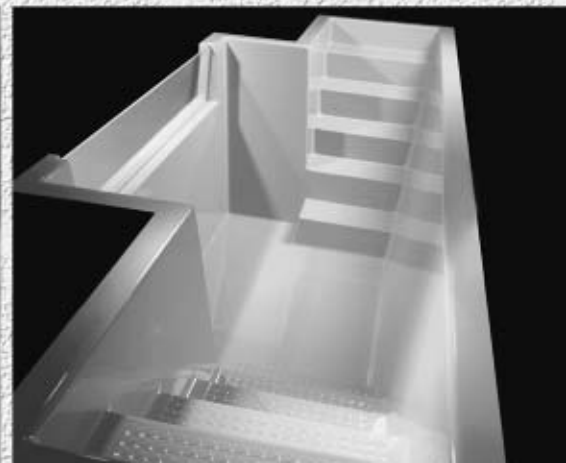


Table of Contents

Steeple.....	3-10
Steeple & Cupola Accessories.....	11
Cupola.....	12-14
Lighthouse.....	15
Domes.....	16
Finials.....	17
Steeple & Cupola Installation Guidelines.....	18-19
Baptistries.....	20-24
Baptistry Accessories.....	24-25
Baptistry Installation Guidelines.....	24
Baptistry Heaters.....	26-27
Optional Items.....	26
Wall & Roof Crosses.....	28

About the Company...

Founded in 1963, Fiberglass Specialties was one of the first manufacturers of fiberglass church baptistries, steeples, and wall crosses. Today we are the market leader, with the largest line of products in the industry. Our strong desire to improve our products and better serve our customers are the driving forces behind our constant innovation.

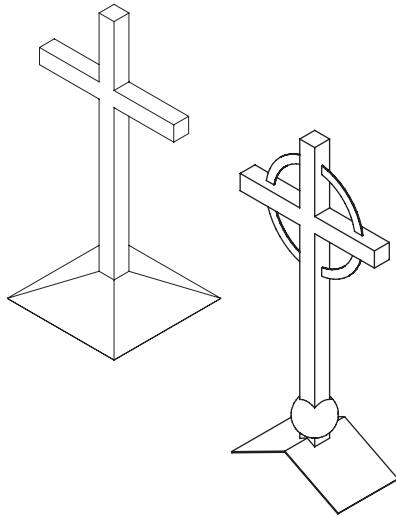
Fiberglass Specialties is a family owned business, now in its second generation. Owner and President Rocky Hall takes a hands-on approach not unlike that of his father, Howard Hall, who began the company over forty-five years ago.

We invite you to visit our 65,000 square foot manufacturing and office facility and see for yourself why Fiberglass Specialties is a name you can trust.

RULE OF THUMB—Architects generally select a steeple that is about the same height as the distance from the ground to the peak of the roof of the building.

NOTE: All measurements, weights, and drawings shown in the catalog are rounded off and approximate.

Roof Mounted Crosses



Roof mounted crosses are an easy way to accessorize your church. They can be mounted on the main church building or an adjacent facility such as Sunday School or Conference Center.

These roof mounted crosses are manufactured from high quality structural aluminum with a steel base plate. The aluminum is then coated with a polymer resin similar in chemical composition to fiberglass gel coat. They are lightweight and easy to install. Standard colors listed below, but custom colors are available at an additional charge.

Model	Height	Width	Weight
RM36	36"	22"	65 lbs.
RM48	48"	30"	75 lbs.
RM60	60"	36"	85 lbs.
RM72	72"	41"	95 lbs.

Price does not include freight charges. Consult factory for freight adders.

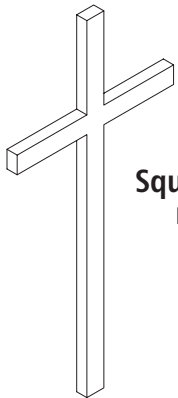
Options:

- BL Ball (sized to cross)
- LP Lightning Package
- CD Celtic Design
- HP Hip Roof Mount
- CC Custom Color (paint applied)

Shown with standard 4" x 4" square tube.
Other sizes also available.

Standard Colors: White, Bone, Metallic Copper, Metallic Gold, Metallic Silver, Bronze Metallic
Roof Mounted Crosses up to 24' Available - Consult Factory

Fiberglass Wall Crosses



Square Body Style

Model	Height	Width	Weight
SC-4	4'	30"	30 lbs.
SC-6	6'	41"	40 lbs.
SC-8	8'	47"	50 lbs.
SC-10	10'	60"	60 lbs.
SC-12	12'	69"	75 lbs.

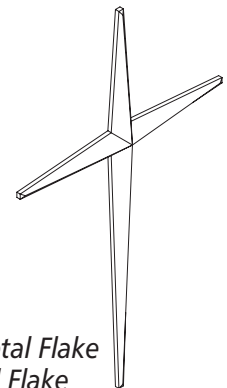
Backlighting Kits

Filament Cord Backlights: Encased in tubing with an impact strength of 220 lbs. per square inch, our Filament Cord Backlights illuminate a full 5.5 watts per foot. That's over 140 watts of pure light for an 8' cross. With an average rated life of 25,000 hours (8-1/2 years at 8 hours per day) these UL Listed backlights are easy to replace should they ever burn out.

These beautifully crafted crosses provide a focal point that will enhance virtually any place of worship. Designed for interior or exterior use, they are available with 2 optional backlighting systems, creating a soft, warm glow that silhouettes the cross against the wall behind it. Mounting brackets are included for easy installation using simple hand tools.

Tapered Body Style

Model	Height	Width	Weight
TC-4	4'	2'6"	30 lbs.
TC-6	6'	4'1"	40 lbs.
TC-8	8'	5'0"	50 lbs.
TC-10	10'	6'4"	60 lbs.
TC-12	12'	7'6"	75 lbs.
TC-18	18'	6'10"	125 lbs.



Available in six colors...

- White
- Bone
- Bronze Metal Flake
- Copper Metal Flake
- Gold Metal Flake
- Silver Metal Flake

Effective January, 2011. All contents subject to change without notice. Line drawings approximate the look and style of the products. All dimensions are nominal.